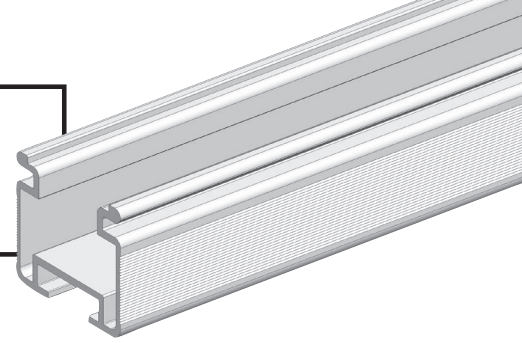


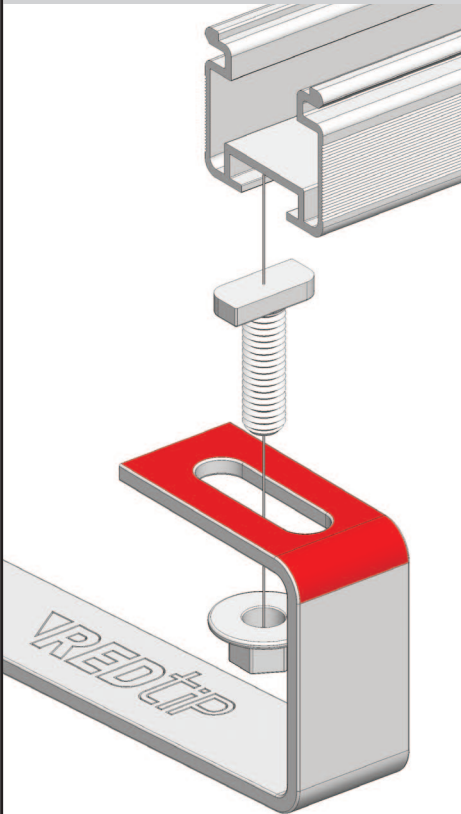
# Installation Guide

## REDtip ExpressRail™ Mounting Frame

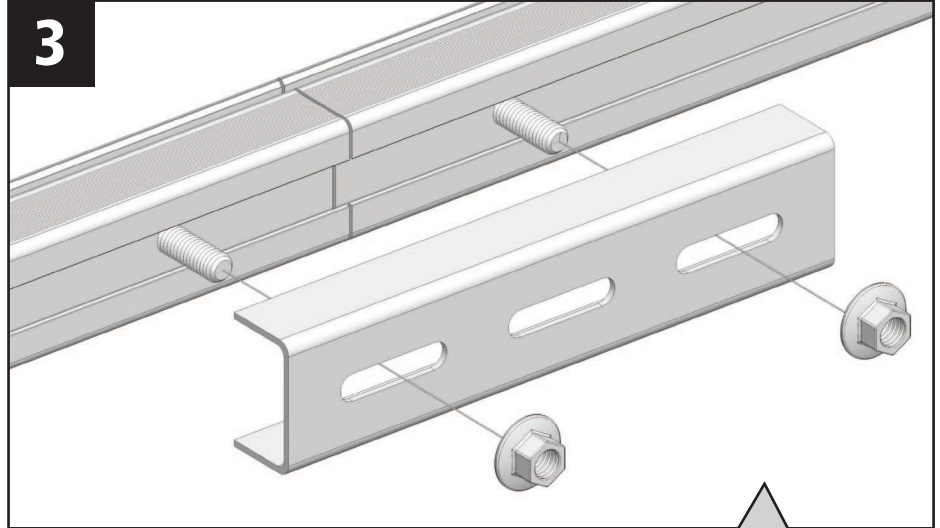


**1**

Thread 'T' bolt through the slot in the hook and into the base of the rail. Then turn 90° to lock in the channel and tighten flange nut from below.

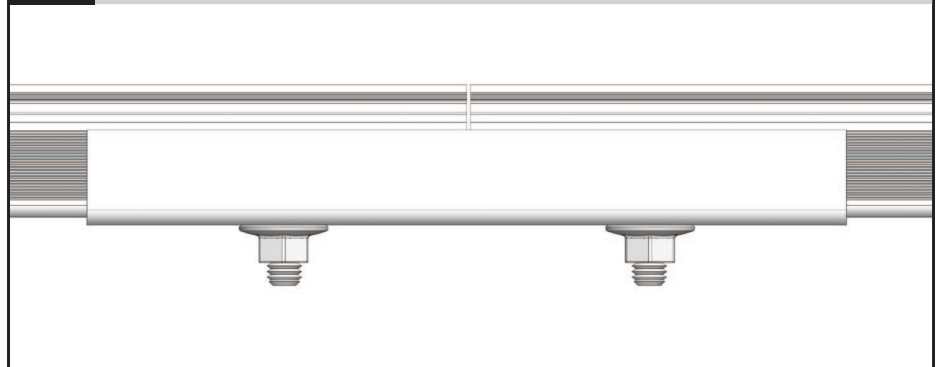


**3**



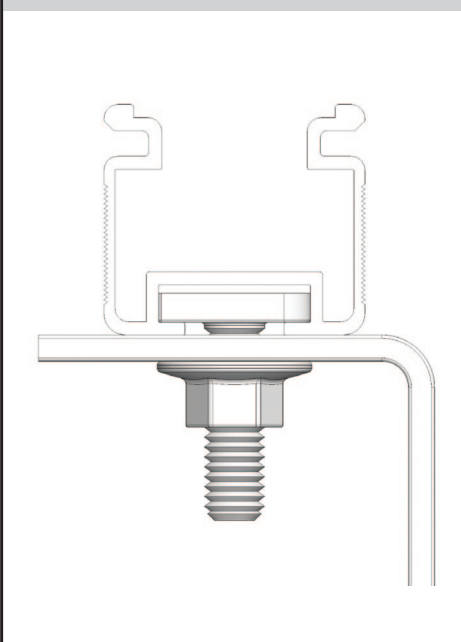
**4**

Join rails using rail connector M108 and two 'T' bolts. Tighten flange nuts to secure firmly (Nominal 4Nm).



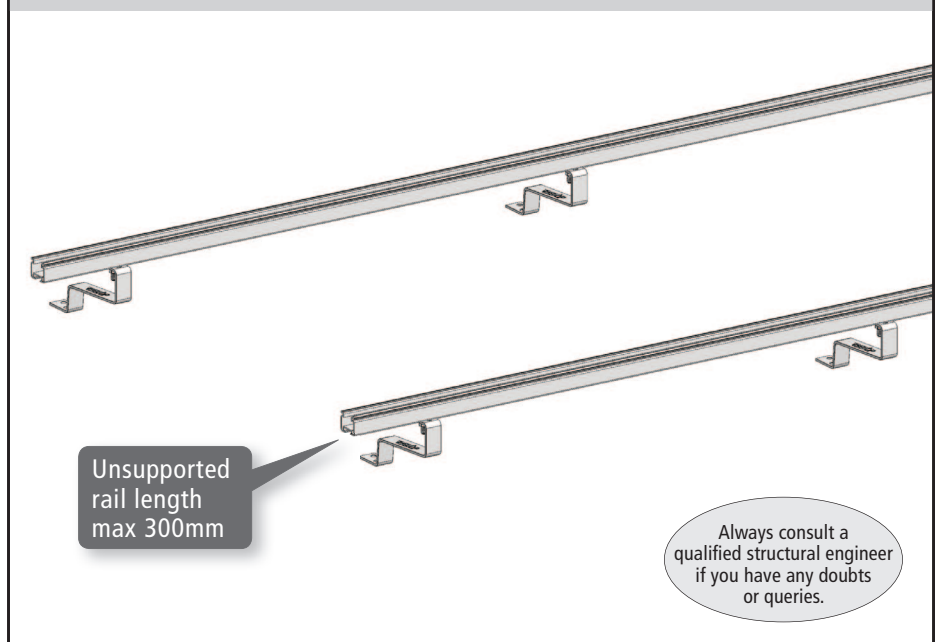
**2**

Hand tighten the flange nut to firmly secure the rail to the hook (Nominal 8Nm).



**5**

Maximum rail spans between roof hooks will vary according to the structural and wind loadings. Max 1600mm. Consult a qualified structural engineer if you are in any doubt.

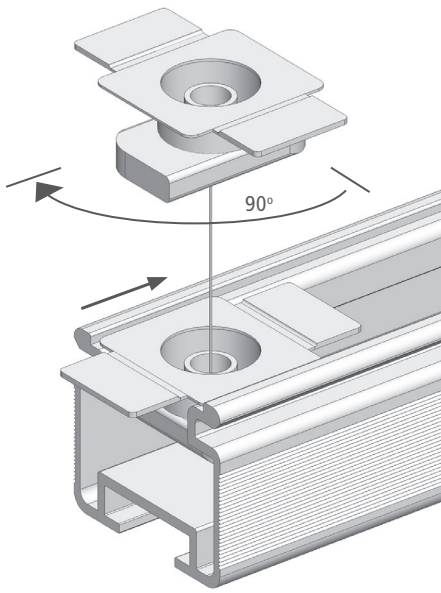


Unsupported rail length max 300mm

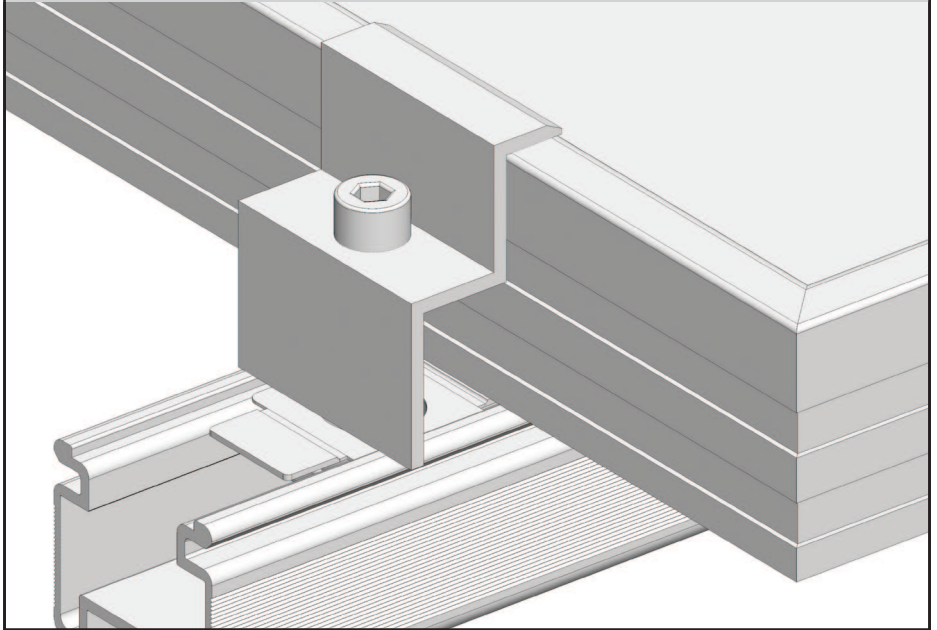
Always consult a qualified structural engineer if you have any doubts or queries.

**6**

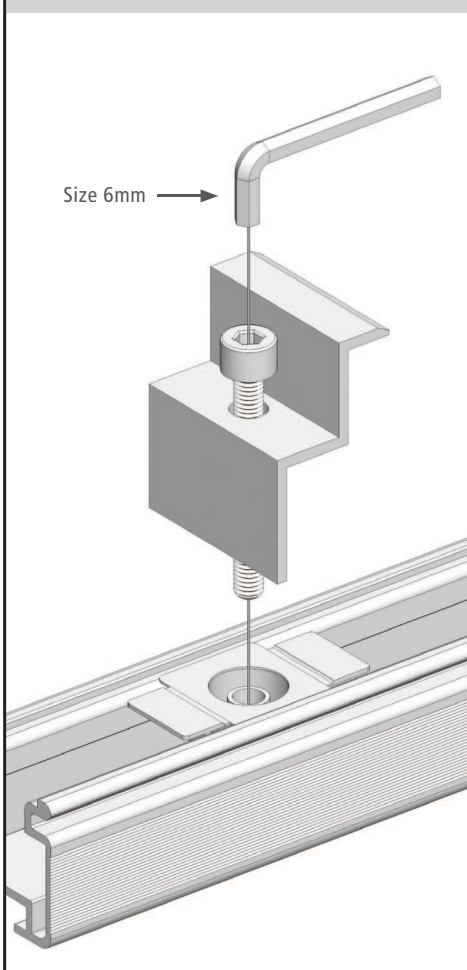
Insert and turn channel nut through 90° to lock in the channel, then slide channel nut into the precise position required.

**8**

Hand tighten the bolt with a 6mm Allen key to firmly secure the module in place (Nominal 8Nm). Ensure that the clamp fits over the module and the channel nut remains locked in position during tightening.

**7**

Insert the M8 bolt through the end clamp and into the channel nut.

**9**

Repeat instruction 6-8 for fixing mid clamp.

